

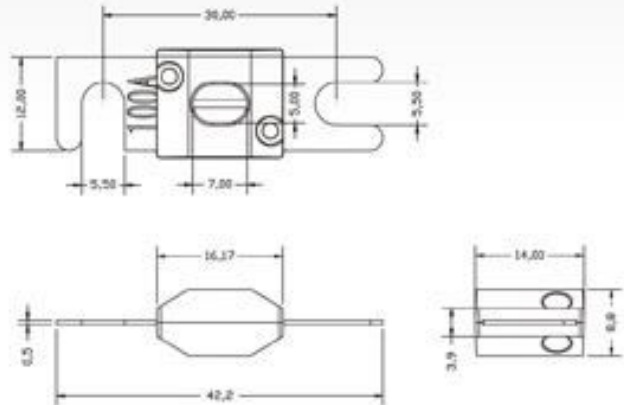
BOLT-ON FUSE STRIPS WITH HOUSING MINI TYPE ANL FUSE

RoHS

HMAF-N series Nickel Plated Type

Specifications :

- Rating: 30A-200A
- Body Material: UL-Rated 94V-0 Thermoset Plastic
- Metal Element: Zinc/Copper with Nickel Plating,
(Thickness: 0.5mm)
- Voltage Rating: DC 58V or Less
- Interrupting Rating: 2000A @ 32V DC
- Ambient Temperature: -40°C to + 125°C
- Product meet RoHS
- Product not UL Listed



Scale : mm

Ordering Information

Part Number	Current Rating (A)	Voltage (VDC)
HMAF-N 30	30	58V
HMAF-N 40	40	58V
HMAF-N 50	50	58V
HMAF-N 60	60	58V
HMAF-N 70	70	58V
HMAF-N 80	80	58V
HMAF-N 100	100	58V
HMAF-N 125	125	58V
HMAF-N 150	150	58V
HMAF-N 200	200	58V



Opening Time / Pre-arcing Time :

In	1.1 In	1.35 In	2.0 In	3.0 In
30-200 A	>4Hours	<1800s	≤15s	≤5s